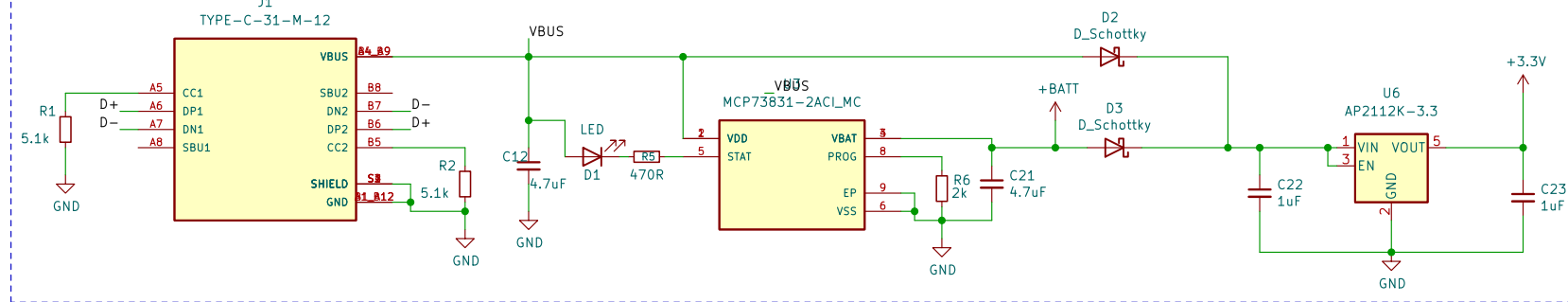
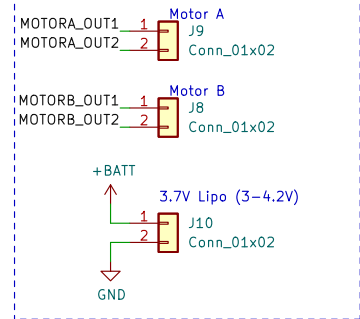


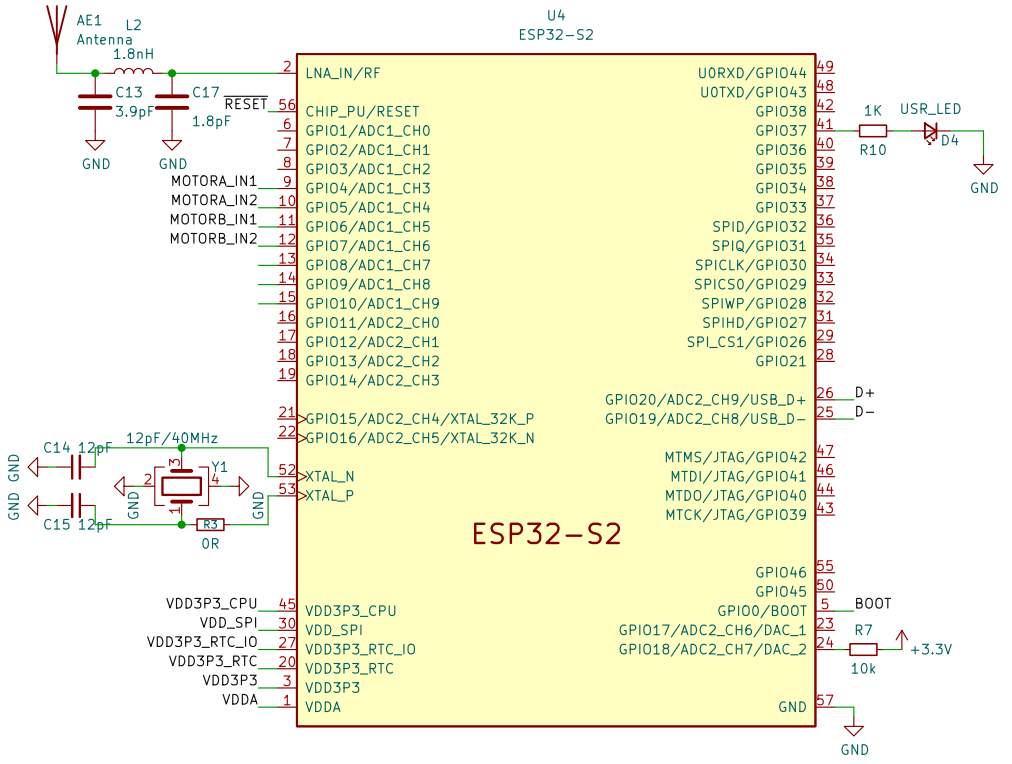
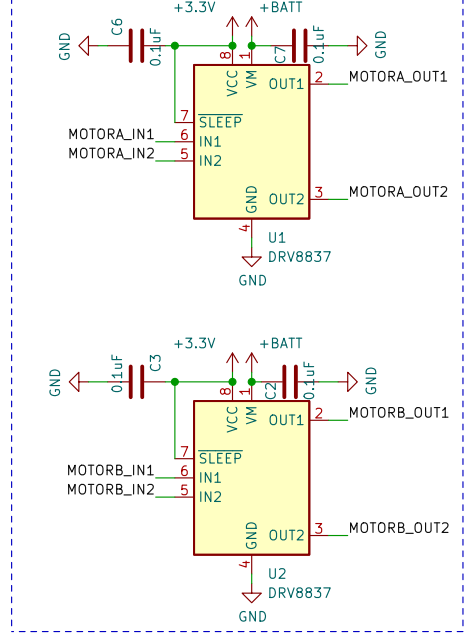
USB-C\_Lipo Charging\_3v3 LDO



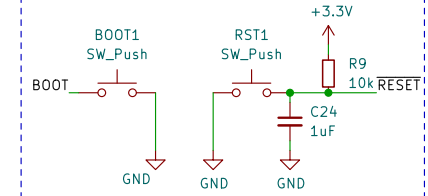
Motor + Battery Connectors



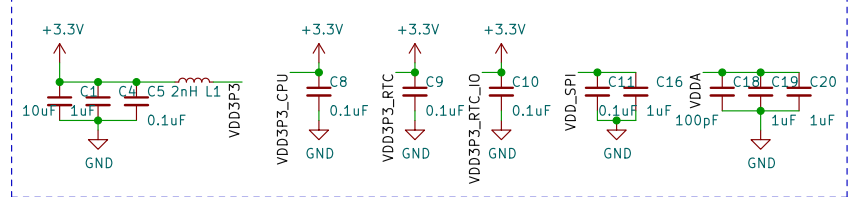
Motor Driver ICs



Reset + Bootloader Buttons



Power Decoupling



Sheet: /		Date:	
File: PrettySmallRobot.kicad_sch			
<b>Title:</b>			
Size: A4	Date:		Rev:
KiCad E.D.A. kicad (6.0.4)	Id: 1/1		