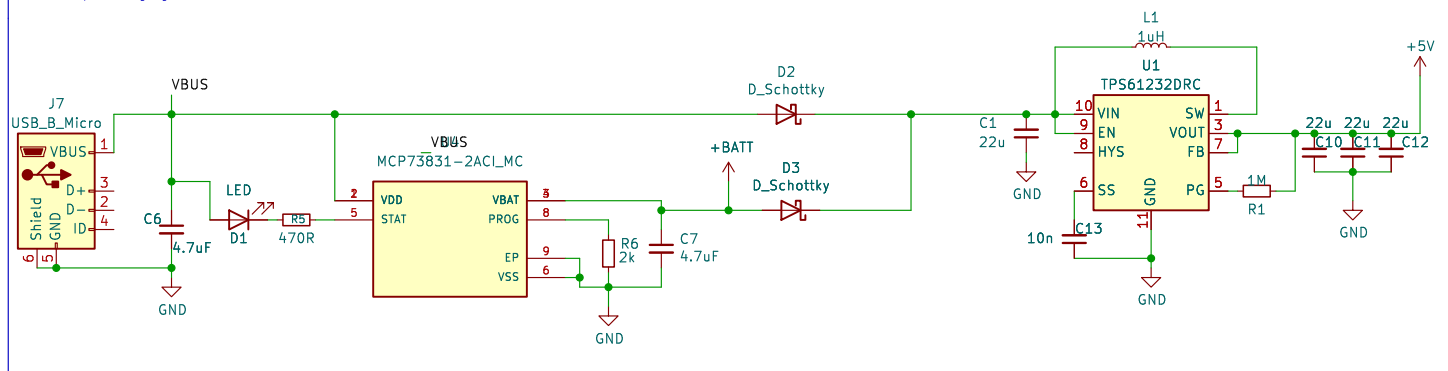
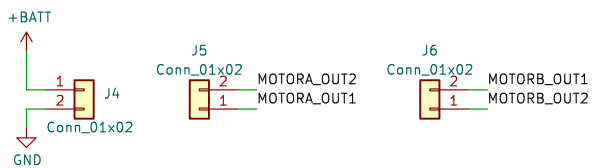
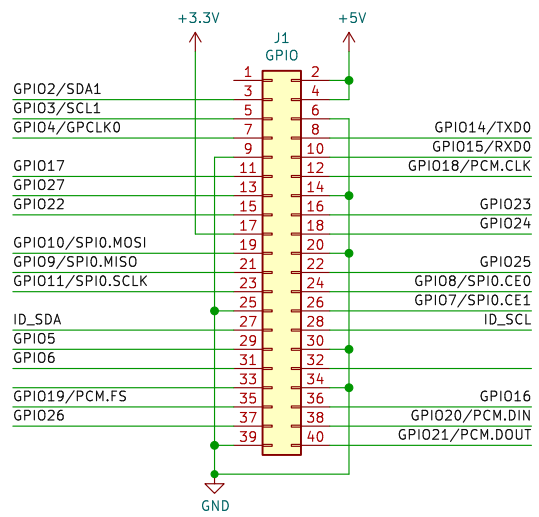
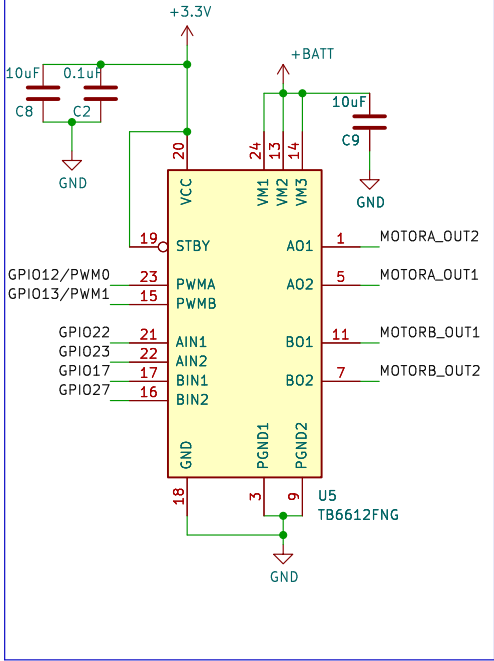


5.5V IN, Lipo Charging, 5V Buck



Motor Driver IC



Additional pin functions: https://pinout.xyz/	
Sheet: /	
File: povbot2.kicad_sch	
Title:	
Size: A4	Date: 15 nov 2012
KiCad E.D.A. kicad (7.0.0)	Rev: Id: 1/1